



WEBINAR

The impact of additive manufacturing on product sustainability

3 November 2020 | 11.00 AM - 12.10 PM (CET)



cecimo

European Association of the Machine Tool Industries
and related Manufacturing Technologies



Roboze

Re-think Manufacturing. Re-shore Production



Alessio Lorusso

Roboze CEO

3 Effects of current Supply Chain

**Global Warming and
Pollution**



SHIPPINGS CO2 emissions
7% of global co2¹

**Unsustainability of
Stock Breaks**



WAREHOUSING costs
€300 billion/year²

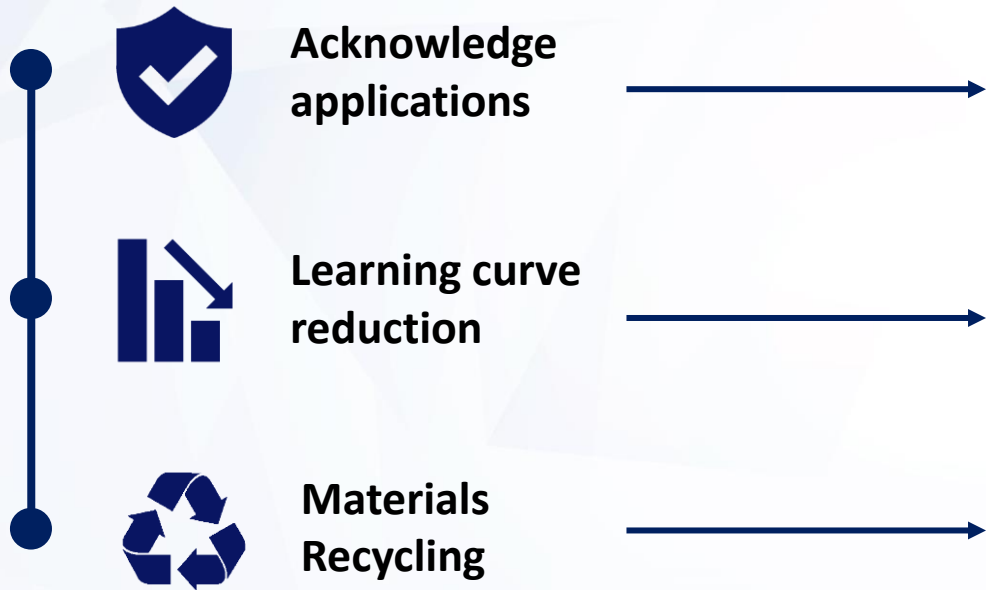
**Mass Obsolete
delocalized production**



TRANSPORTATION AND
LOGISTICS costs
+11,4% (\$1.64 trillion) in 2018³

Limits & Solutions

Challenges to face



How to overcome them





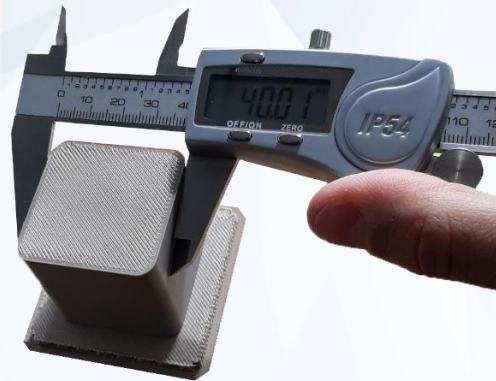
cecimo

European Association of the Machine Tool Industries
and related Manufacturing Technologies



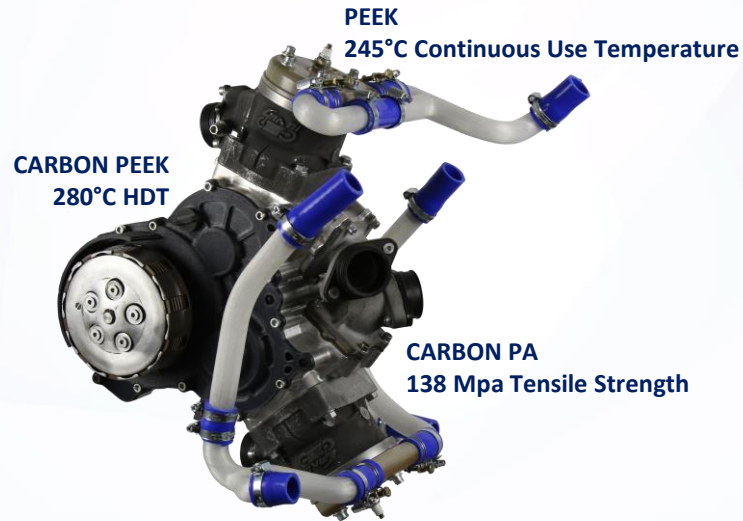
The Roboze Way

**Patented
Beltless System**



10 microns accuracy
With Roboze Beltless
6x more accuracy

**Metal replacement
Super polymers**



Innovative controlled
3D printing process solution
Certified Metal Replacement

**Roboze 3D Parts
Production network**



Local Distributed Manufacturing
**More than 50% production
costs saving**

#PrintStrongLikeMetal #OnDemand



cecimo

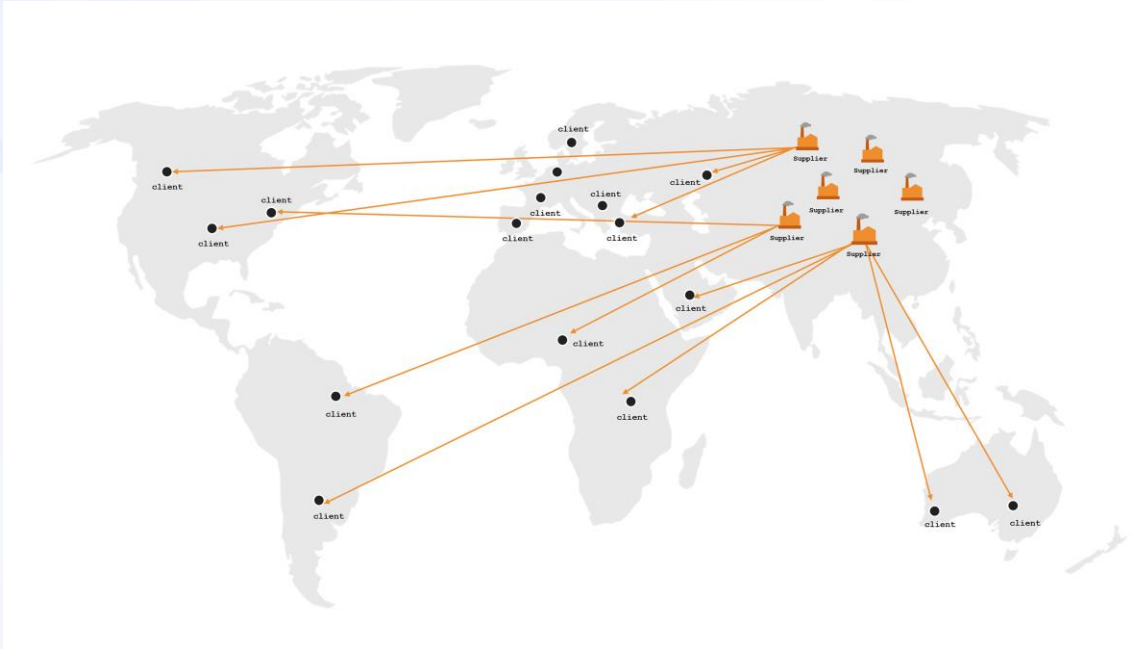
European Association of the Machine Tool Industries
and related Manufacturing Technologies



Bringing the Manufacturing back to Europe and America

From **Delocalized obsolete mass production**

To **Distributed customized production**



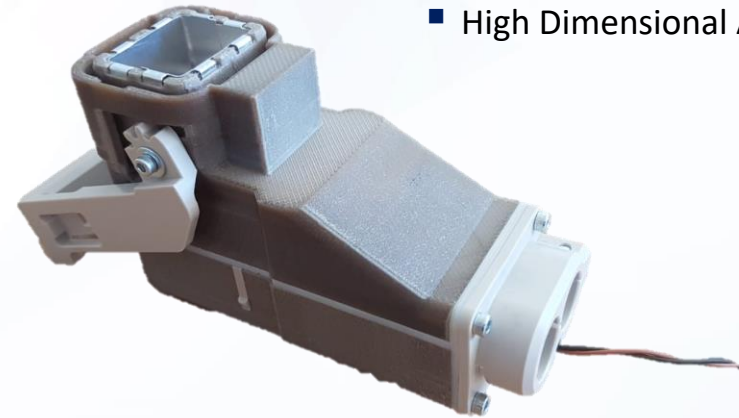
Sectors that benefit most



Loccioni uses several Roboze 3DPrinters to print a variety of parts, including complex HV (High Voltage) connectors for electric vehicles

>70% costs saving
20,000 coupling and uncoupling cycles per year

- Functional end-use part
- Complex Geometries
- Excellent dielectric properties
- High Dimensional Accuracy



Sectors that benefit most



Space

SPACE ROCKET COMPANY

This world leader Rocket space company uses Roboze technology to produce next generation lighter but stronger rocket components

50% weight reduction per part

30% less maintenance



- Weight reduction and payload optimization
- Acceleration of development phases
- Reduced maintenance interventions
- Certified materials compliant with purpose of use



cecimo

European Association of the Machine Tool Industries
and related Manufacturing Technologies



Roboze

Thanks for Watching



Alessio Lorusso

Roboze CEO

roboze.com

#PrintStrongLikeMetal #OnDemand